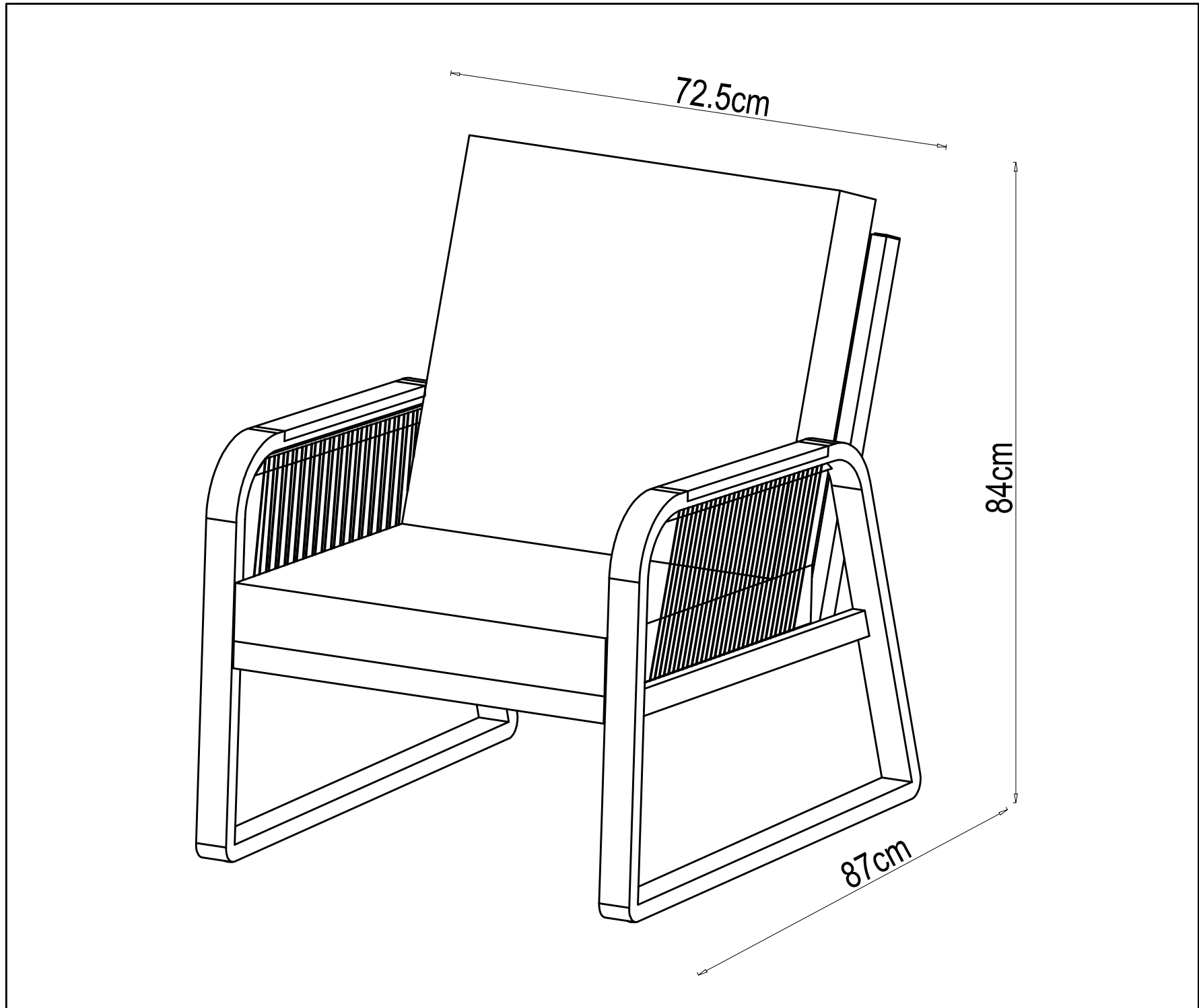


ASSEMBLY INSTRUCTION

STROMBOLI 4PC OUTDOOR LOUNGE

ITEM CODE - 77082

# Amart

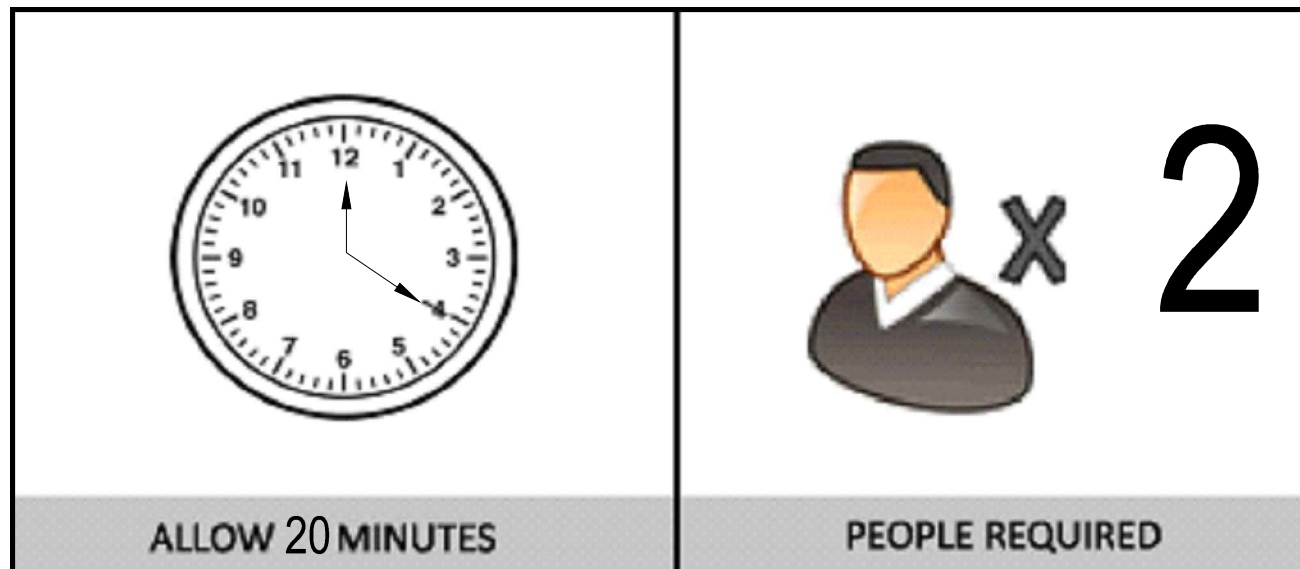


Imported by Amart Furniture Pty Ltd, Qld, Brisbane Australia .  
For any assistance with assembly or for missing parts please phone  
Amart Furniture, Customer Service Freecall 1800 351 084

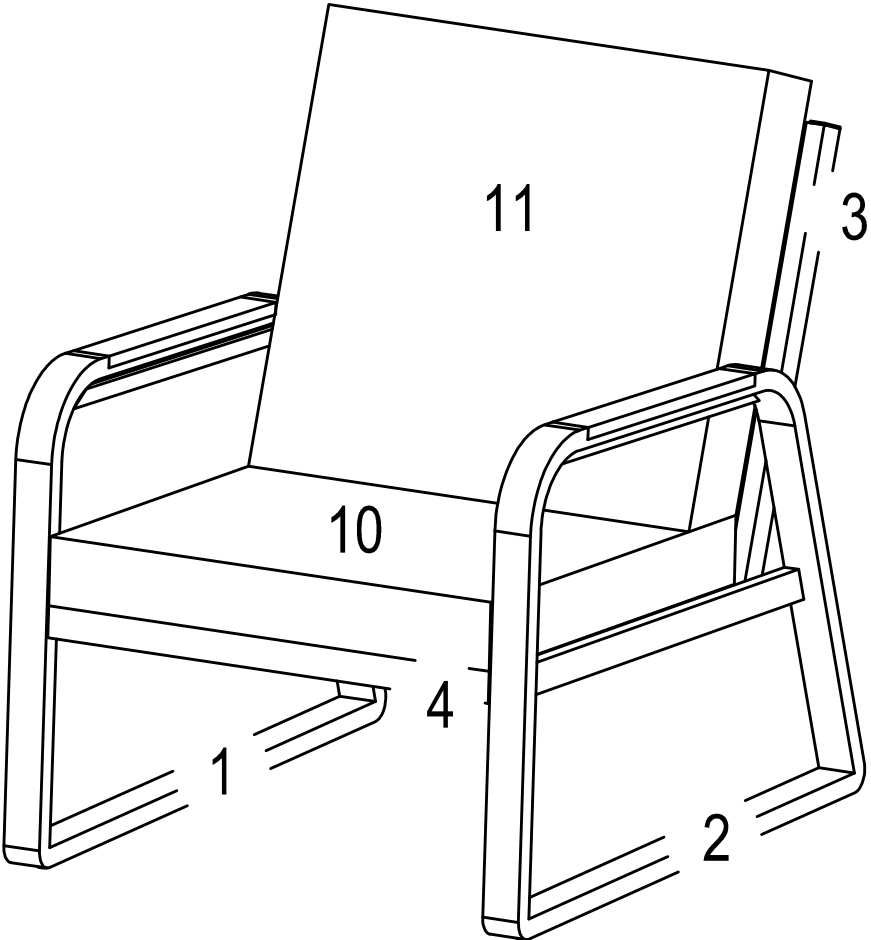
## PRE-ASSEMBLY PREPARATION

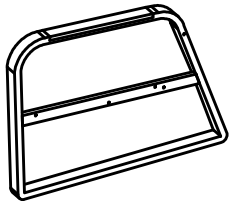
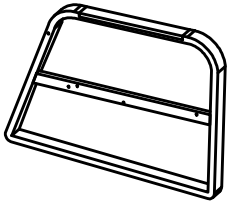
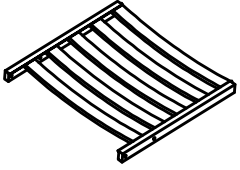
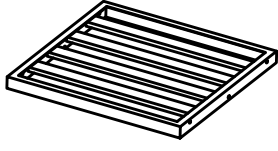
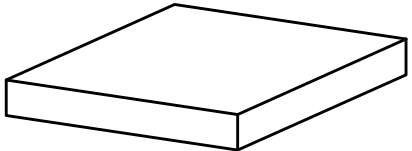
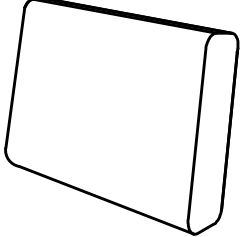
### Before you start:

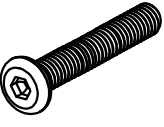
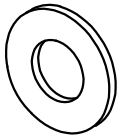
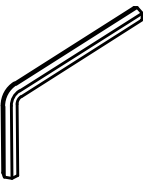
1. Choose a clean, level, spacious assembly area. Avoid hard surfaces that may damage the product.
2. Take care when lifting. Product should be assembled as near as possible to the point of use.
3. Ensure that you have all required contents for complete assembly.
4. Always read the assembly instructions carefully before beginning assembly.
5. Keep all hardware parts and packaging out of reach of small children.
6. Do not over tighten the screws and bolts as this may damage the threads.



# PARTS LIST

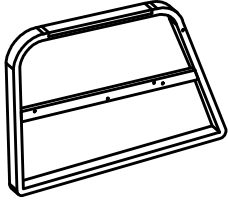
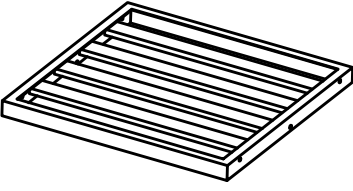

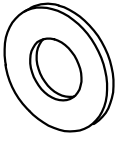
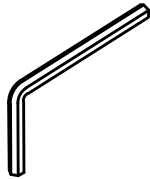


1. Right Arm		2PCS	2. Left Arm		2PCS
3. Backrest		2PCS	4. Seat		2PCS
10. Seat Cushion		2PCS	11. Back Cushion		2PCS

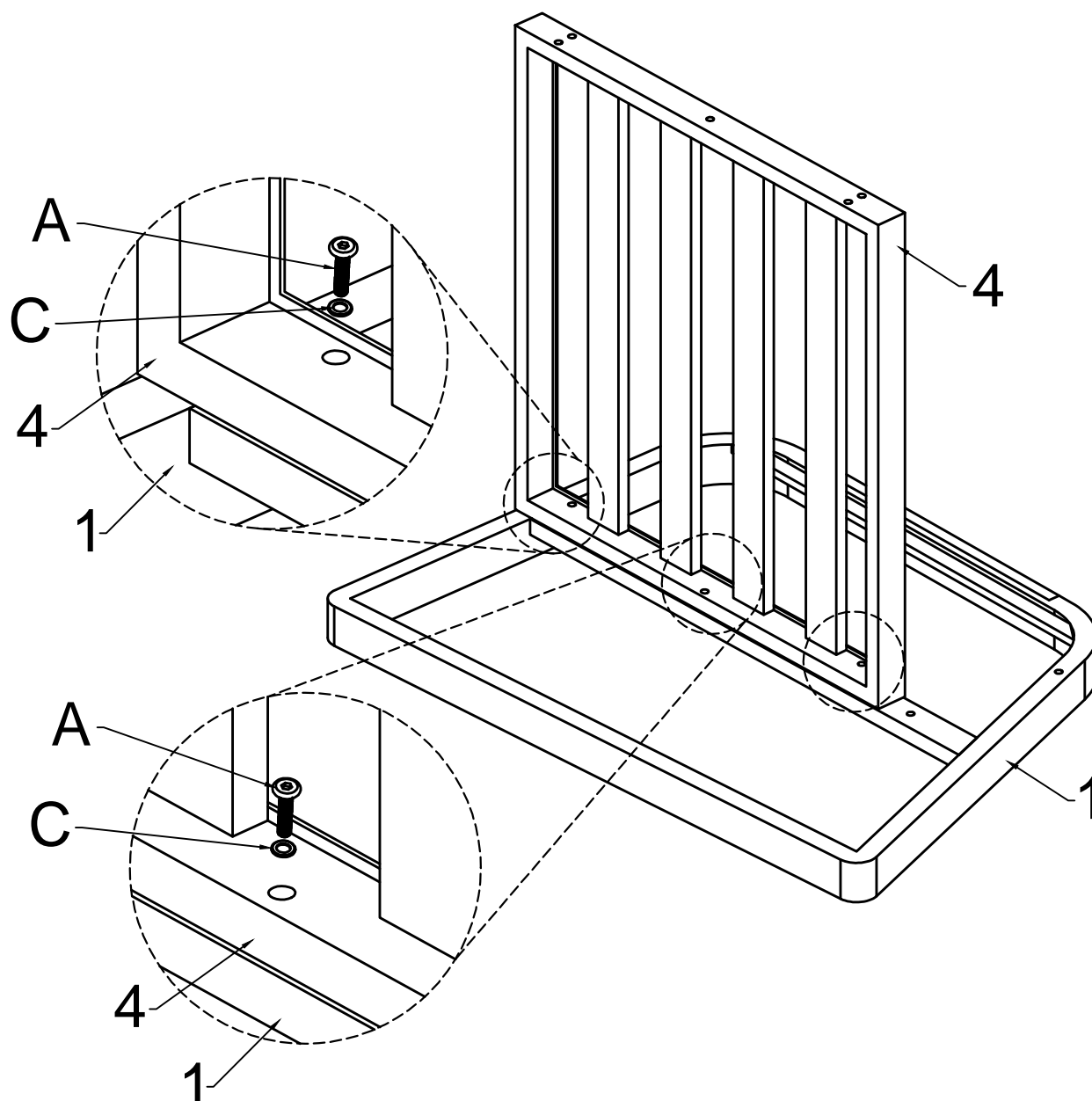
A. Bolt	C. Washer	D. Allen Key
		
M6*35*20PCS	M6*20PCS	M6*1PC

# Step 1:

## ITEMS REQUIRED

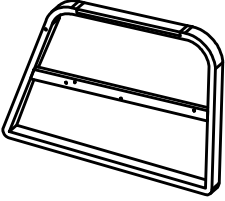
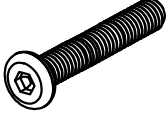
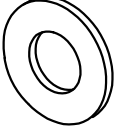
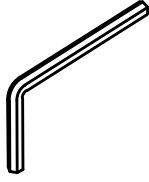
1. Right Arm 1PC 	4. Seat 1PC 	
A. Bolt M6*35*3PCS 	C. Washer M6*3PCS 	D. Allen Key M6*1PC 

- Attach seat (4) to right arm (1) using bolt (A) with washer (C) .
- Insert all bolts before fully tightening .
- Tighten with allen key (D) .

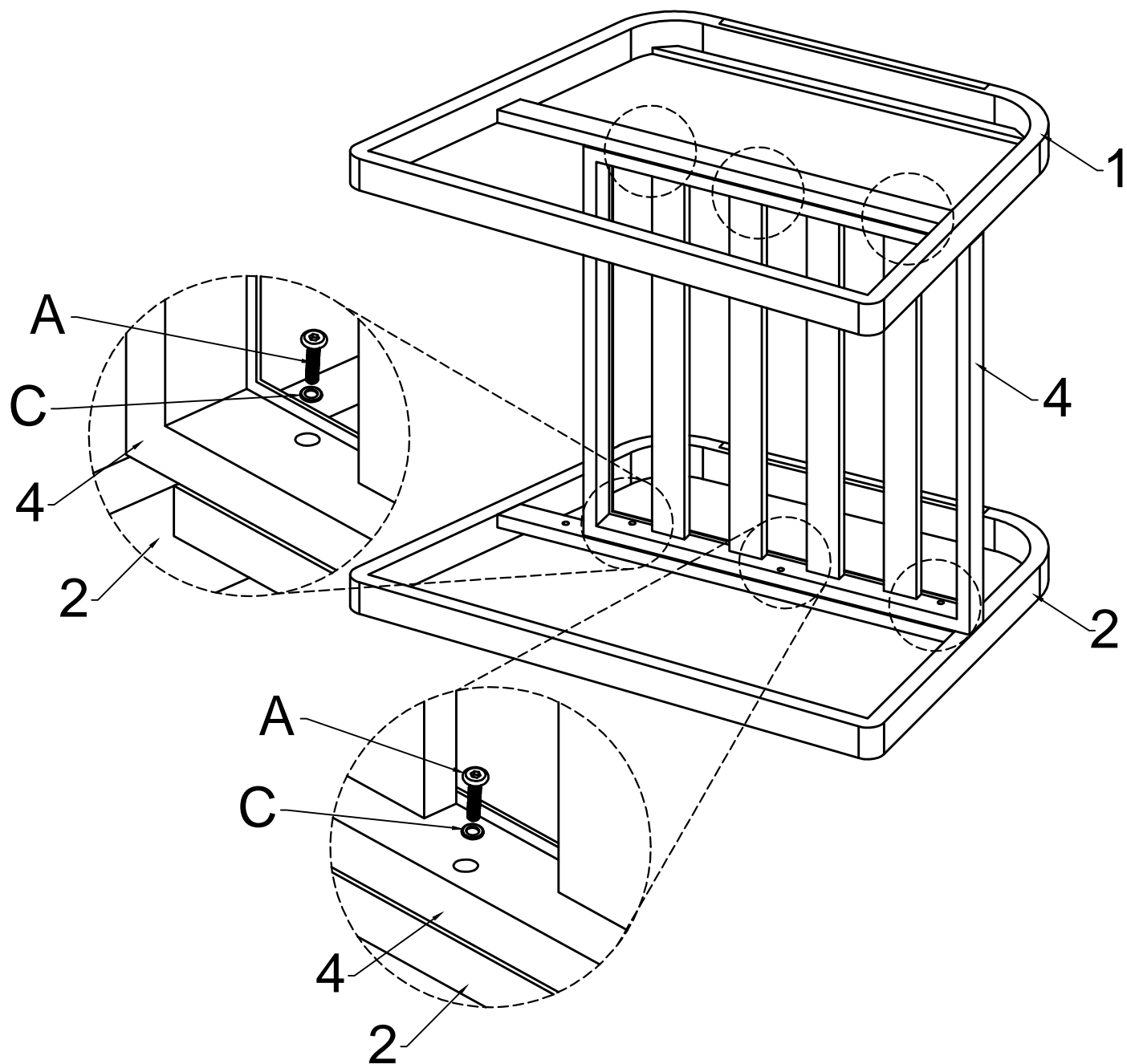


# Step 2:

## ITEMS REQUIRED

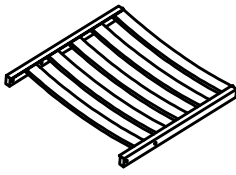
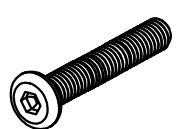
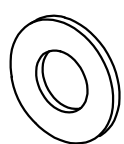
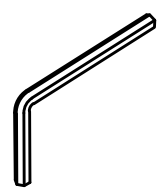
	2.	Left Arm	1PC
			
A.	Bolt		
			
	M6*35*3PCS		
C.	Washer		
			
	M6*3PCS		
D.	Allen Key		
			
	M6*1PC		

- Attach seat (4) to left arm (2) using bolt (A) with washer (C) .
- Insert all bolts before fully tightening .
- Tighten with allen key (D) .

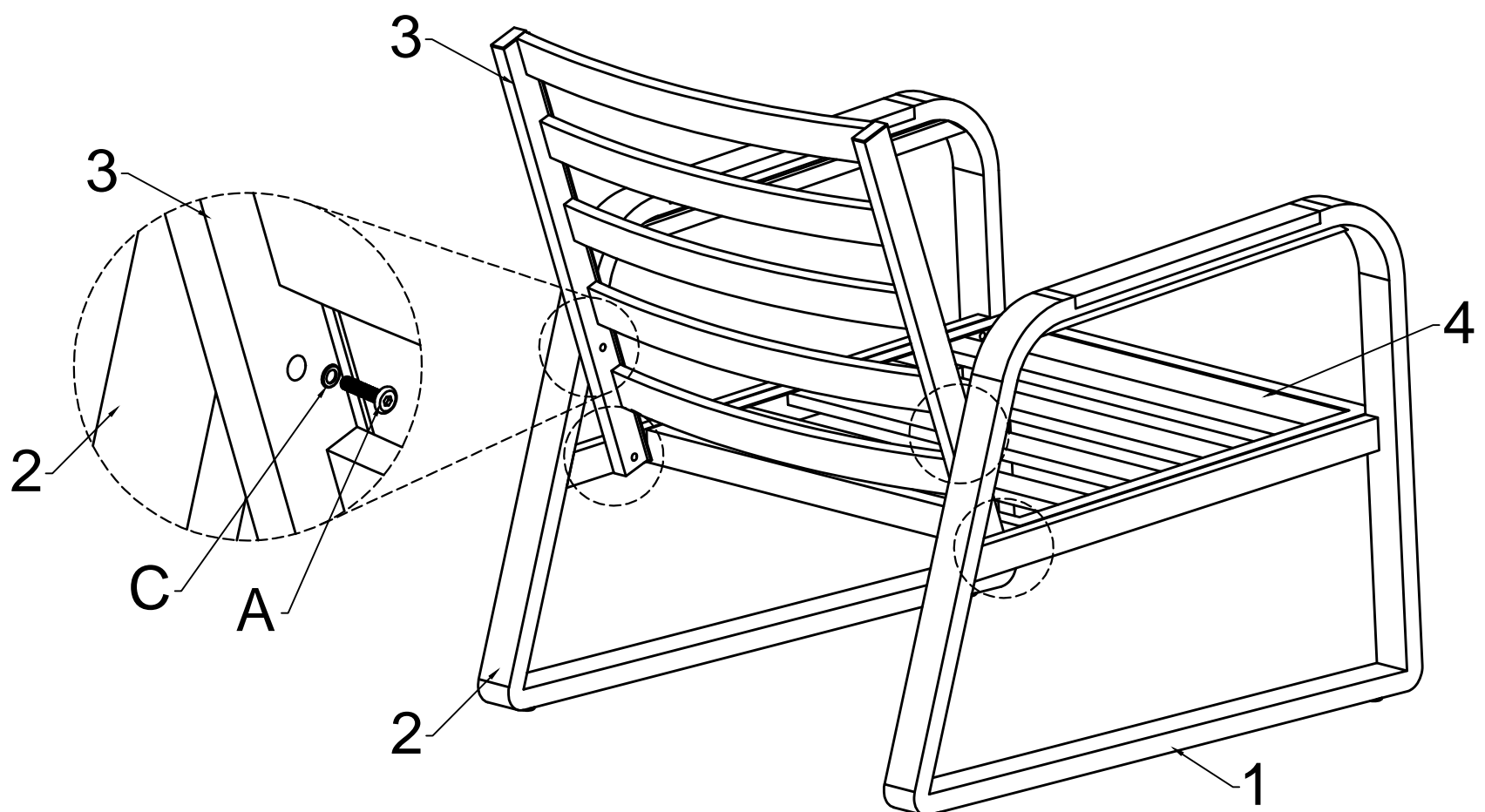


# Step 3:

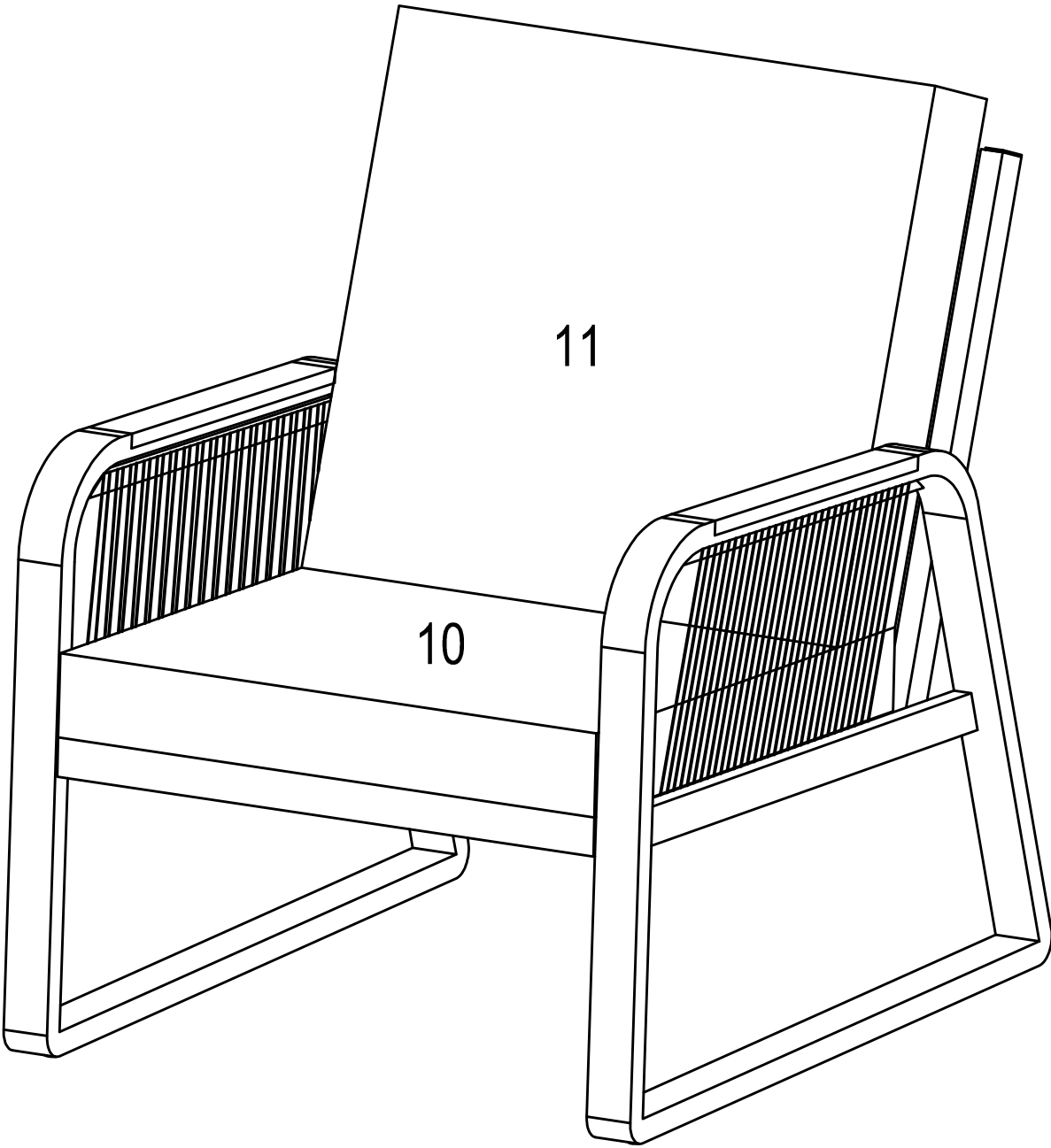
## ITEMS REQUIRED

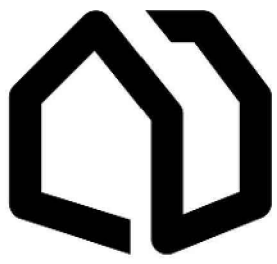
	3. Backrest 1PC 	
A. Bolt  M6*35*4PCS	C. Washer  M6*4PCS	D. Allen Key  M6*1PC

- Attach backrest (3) to left arm (2) and right arm (1) using bolt (A) with washer (C) .
- Insert all bolts before fully tightening .
- Tighten with allen key (D) .



**ASSEMBLY IS COMPLETE**



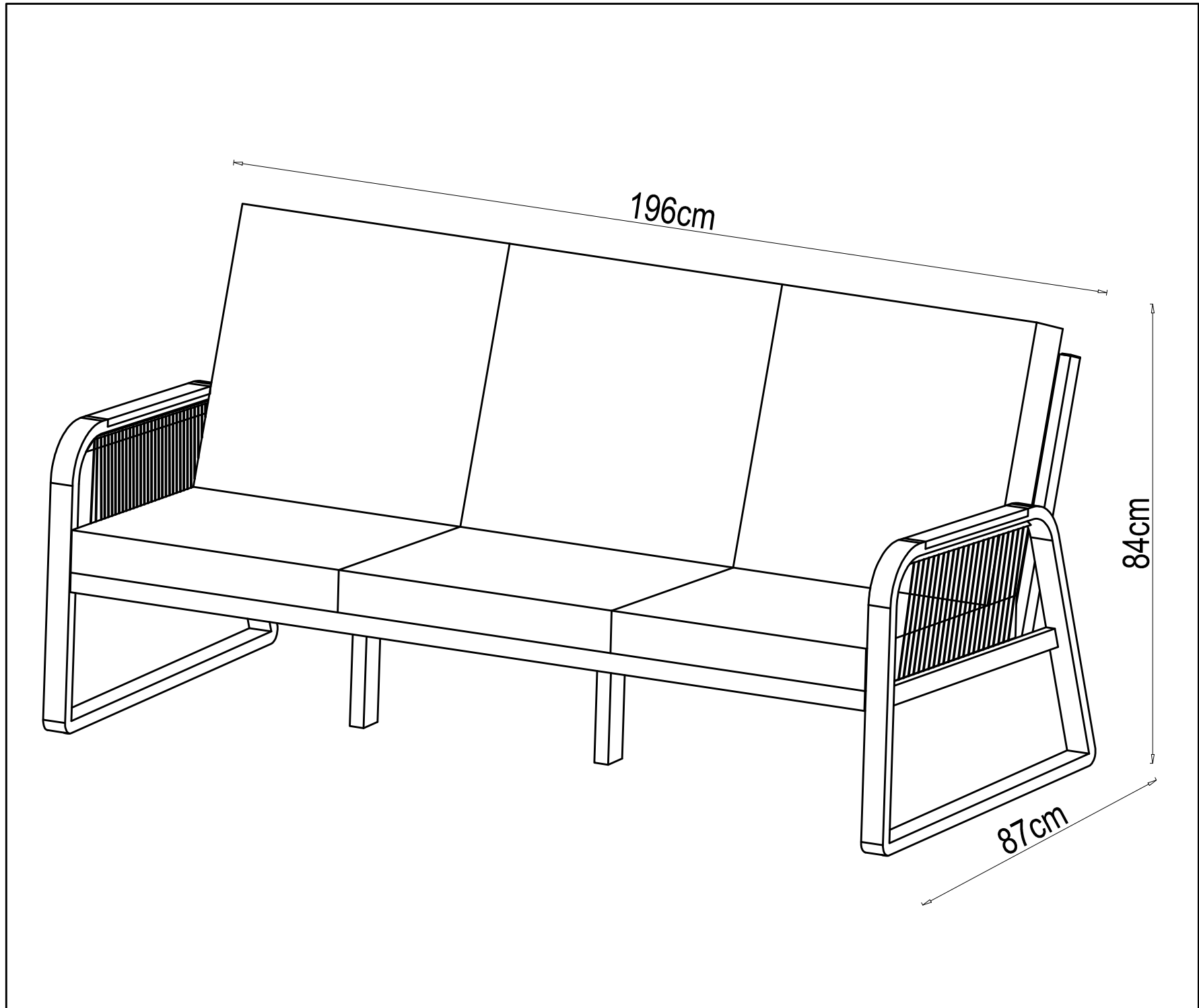


ASSEMBLY INSTRUCTION

STROMBOLI 4PC OUTDOOR LOUNGE

ITEM CODE - 77082

# Amart



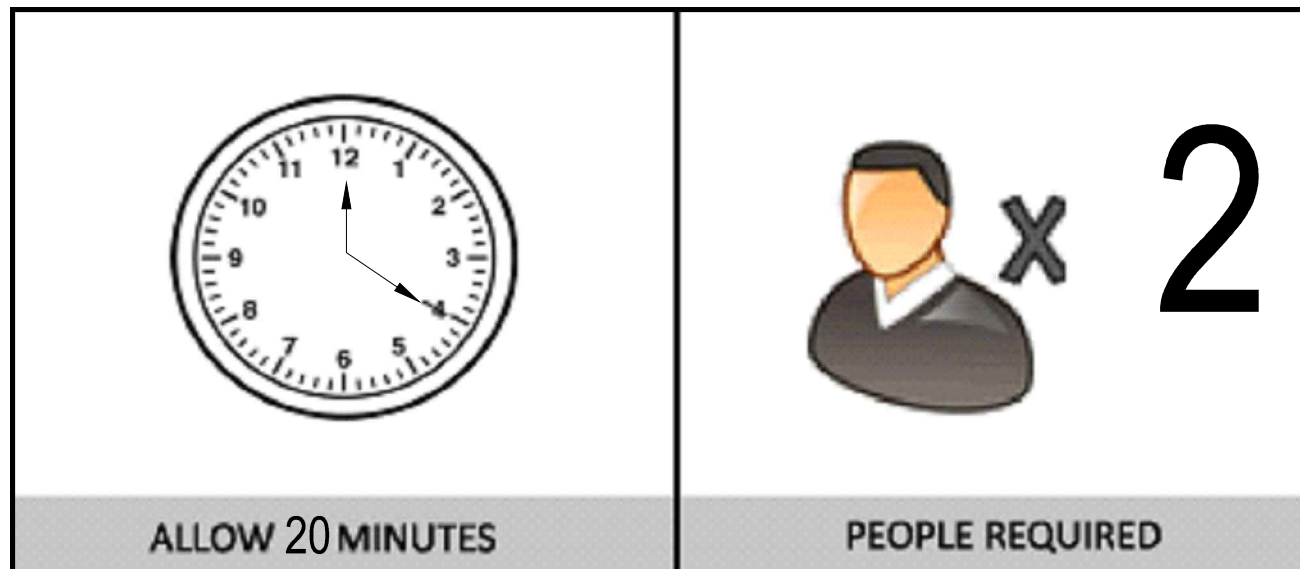
Imported by Amart Furniture Pty Ltd, Qld, Brisbane Australia .  
For any assistance with assembly or for missing parts please phone  
Amart Furniture, Customer Service Freecall 1800 351 084



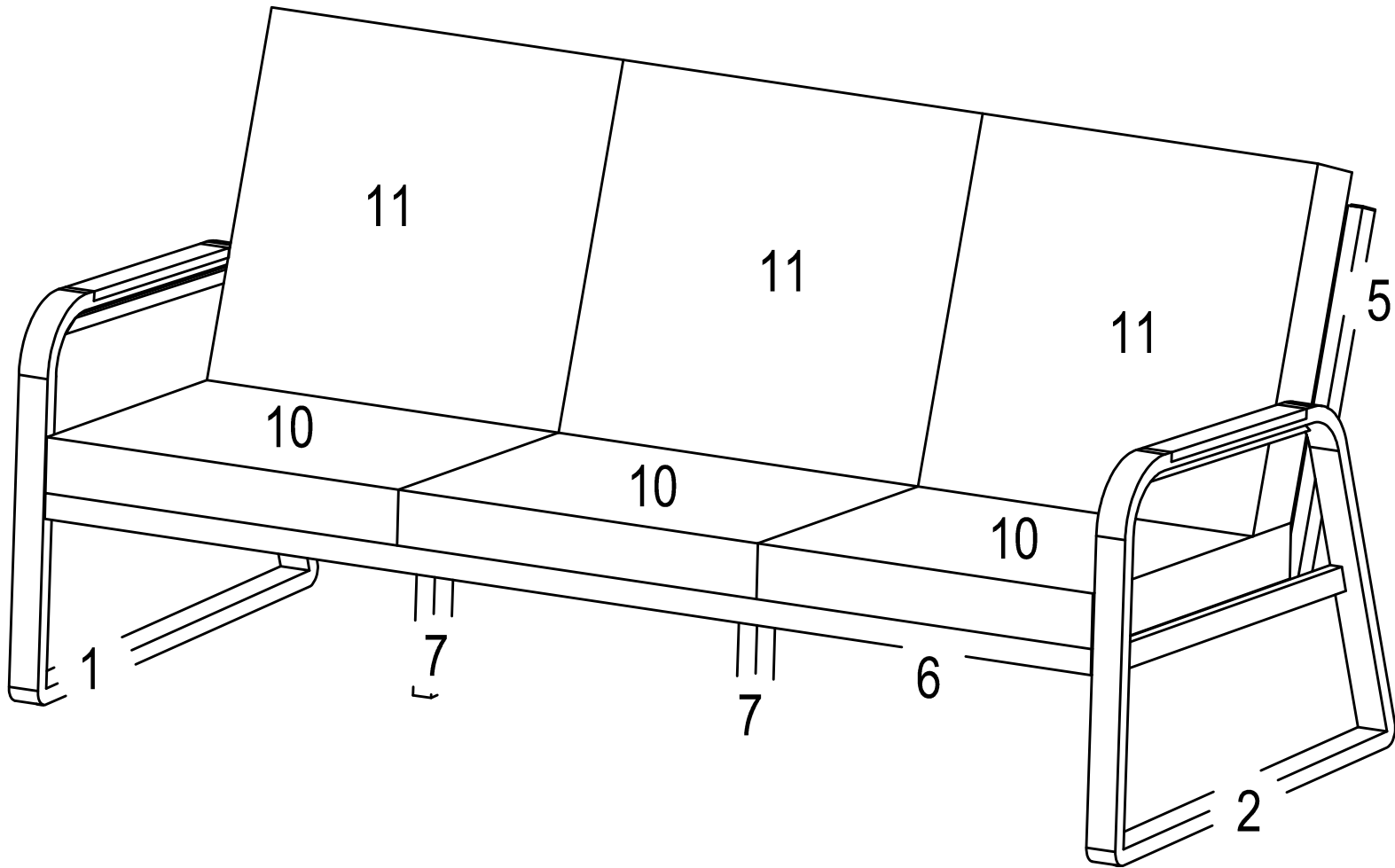
## PRE-ASSEMBLY PREPARATION

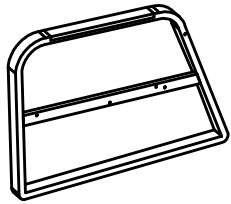
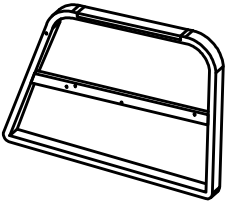
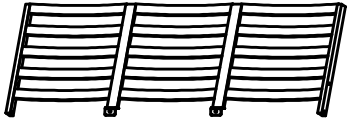
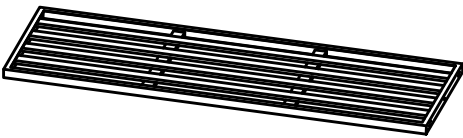
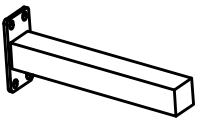
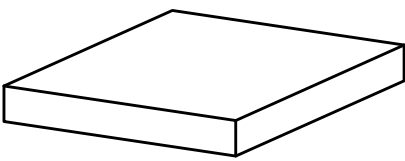
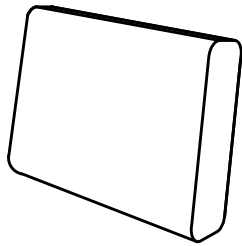
### Before you start:

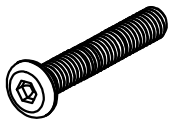

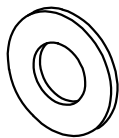
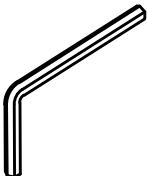
1. Choose a clean, level, spacious assembly area. Avoid hard surfaces that may damage the product.
2. Take care when lifting. Product should be assembled as near as possible to the point of use.
3. Ensure that you have all required contents for complete assembly.
4. Always read the assembly instructions carefully before beginning assembly.
5. Keep all hardware parts and packaging out of reach of small children.
6. Do not over tighten the screws and bolts as this may damage the threads.



# PARTS LIST

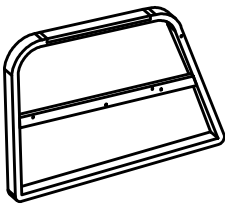
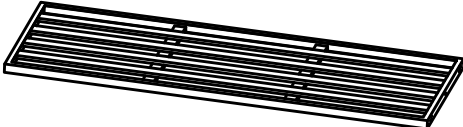

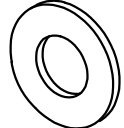
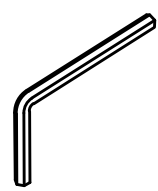


1. Right Arm		1PC	2. Left Arm		1PC
5. Backrest		1PC	6. Seat		1PC
7. Legs		2PCS	10. Seat Cushion		3PCS
11. Back Cushion		3PCS			

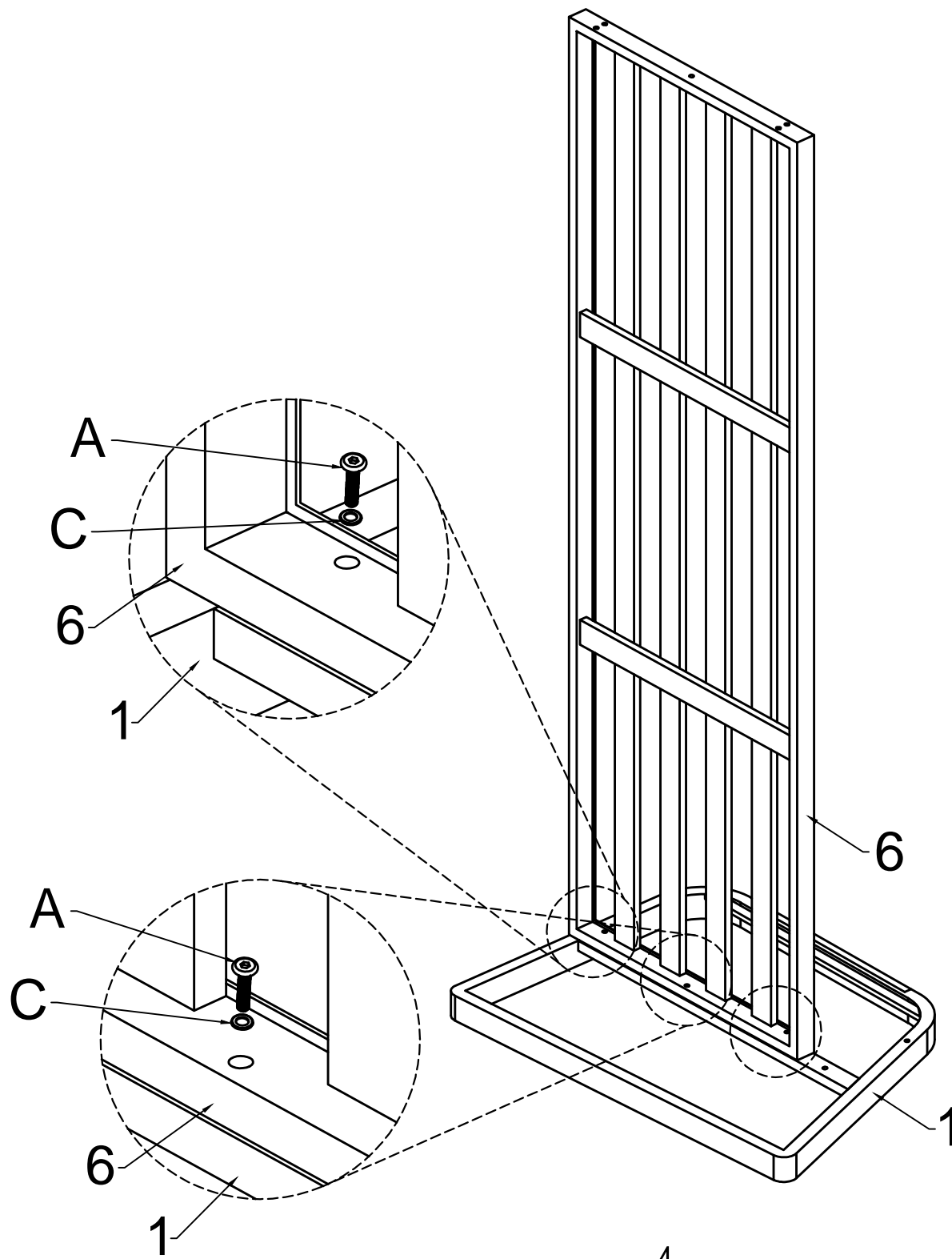
A. Bolt	B. Bolt	C. Washer	D. Allen Key
			
M6*35*10PCS	M6*20*10PCS	M6*20PCS	M6*1PC

# Step 1:

## ITEMS REQUIRED

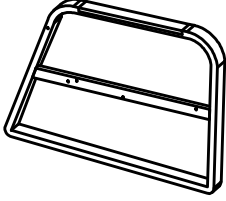
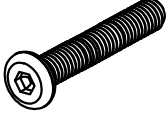
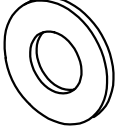
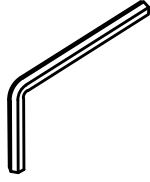
1. Right Arm 1PC 	6. Seat 1PC 	
A. Bolt  M6*35*3PCS	C. Washer  M6*3PCS	D. Allen Key  M6*1PC

- Attach seat (6) to right arm (1) using bolt (A) with washer (C) .
- Insert all bolts before fully tightening .
- Tighten with allen key (D) .

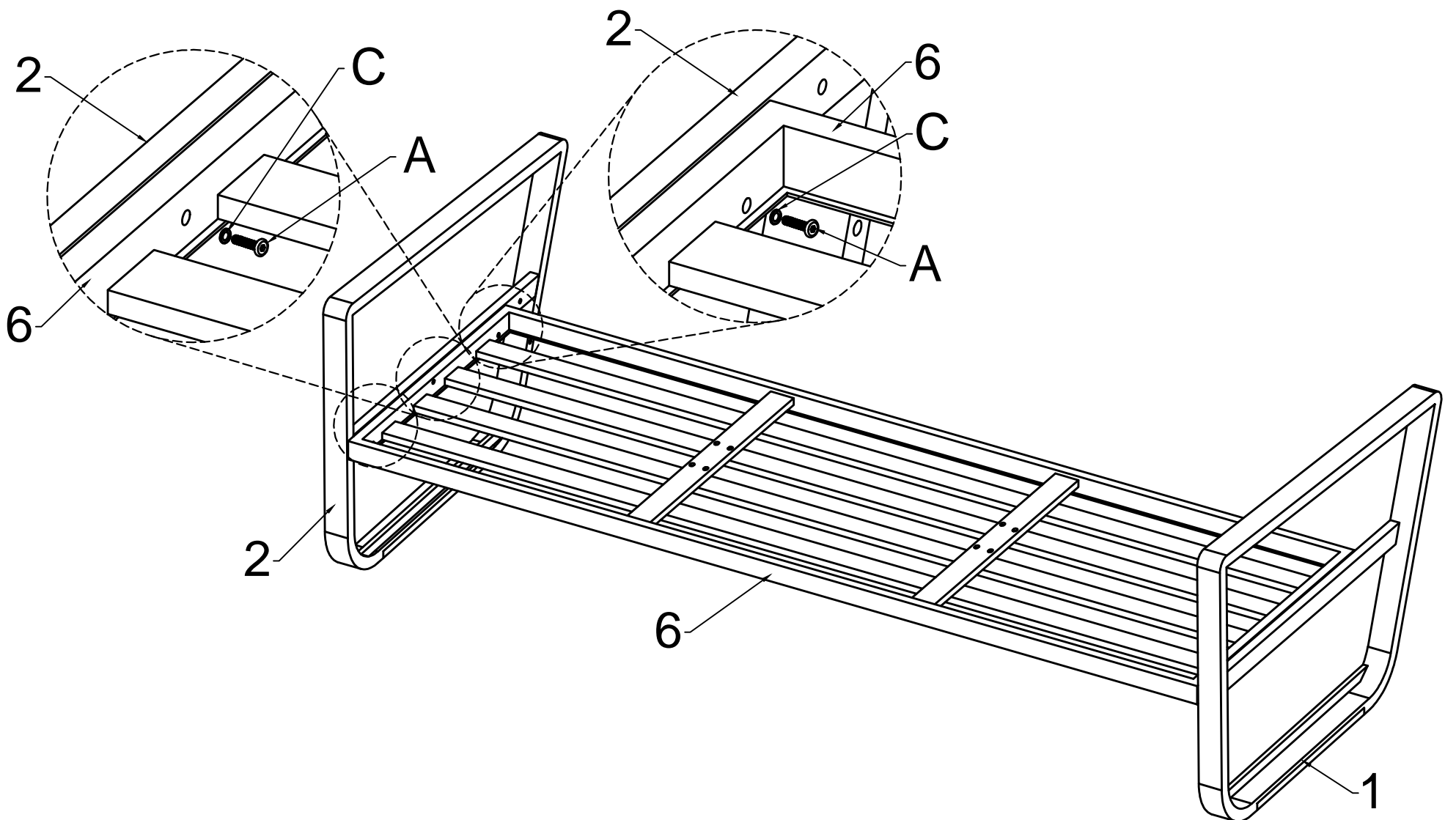


# Step 2:

## ITEMS REQUIRED

	2. Left Arm 1PC 	
A. Bolt  M6*35*3PCS	C. Washer  M6*3PCS	D. Allen Key  M6*1PC

- Attach seat (6) to left arm (2) using bolt (A) with washer (C) .
- Insert all bolts before fully tightening .
- Tighten with allen key (D) .

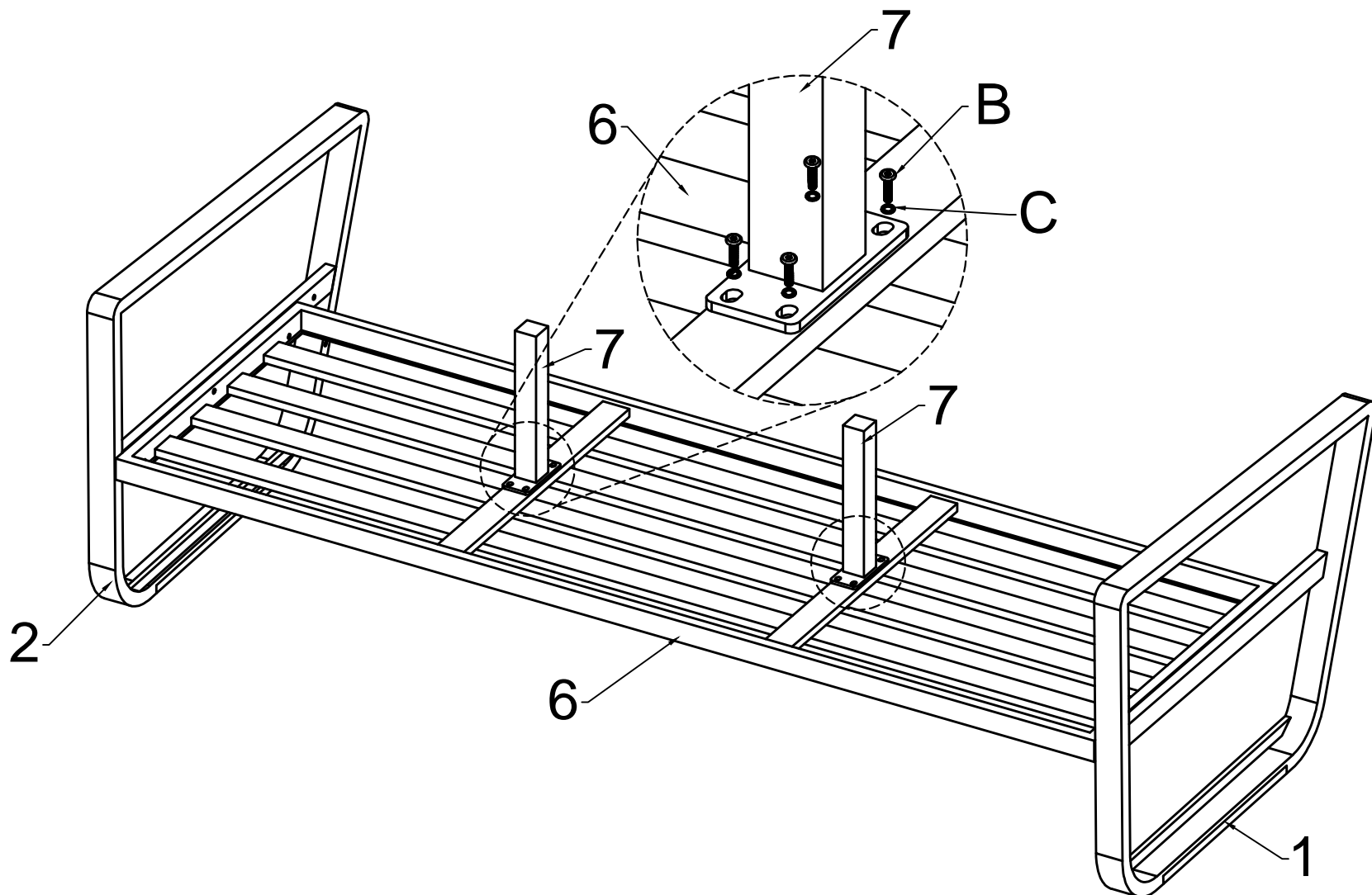


# Step 3:

## ITEMS REQUIRED

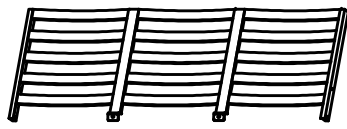
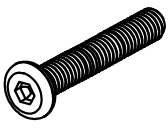
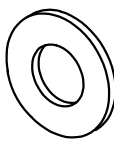
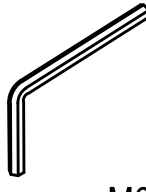
	7. Legs 2PCS 	
B. Bolt  M6*20*8PCS	C. Washer  M6*8PCS	D. Allen Key  M6*1PC

- Attach legs (7) to seat (6) using bolt (B) with washer (C) .
- Insert all bolts before fully tightening .
- Tighten with allen key (D) .

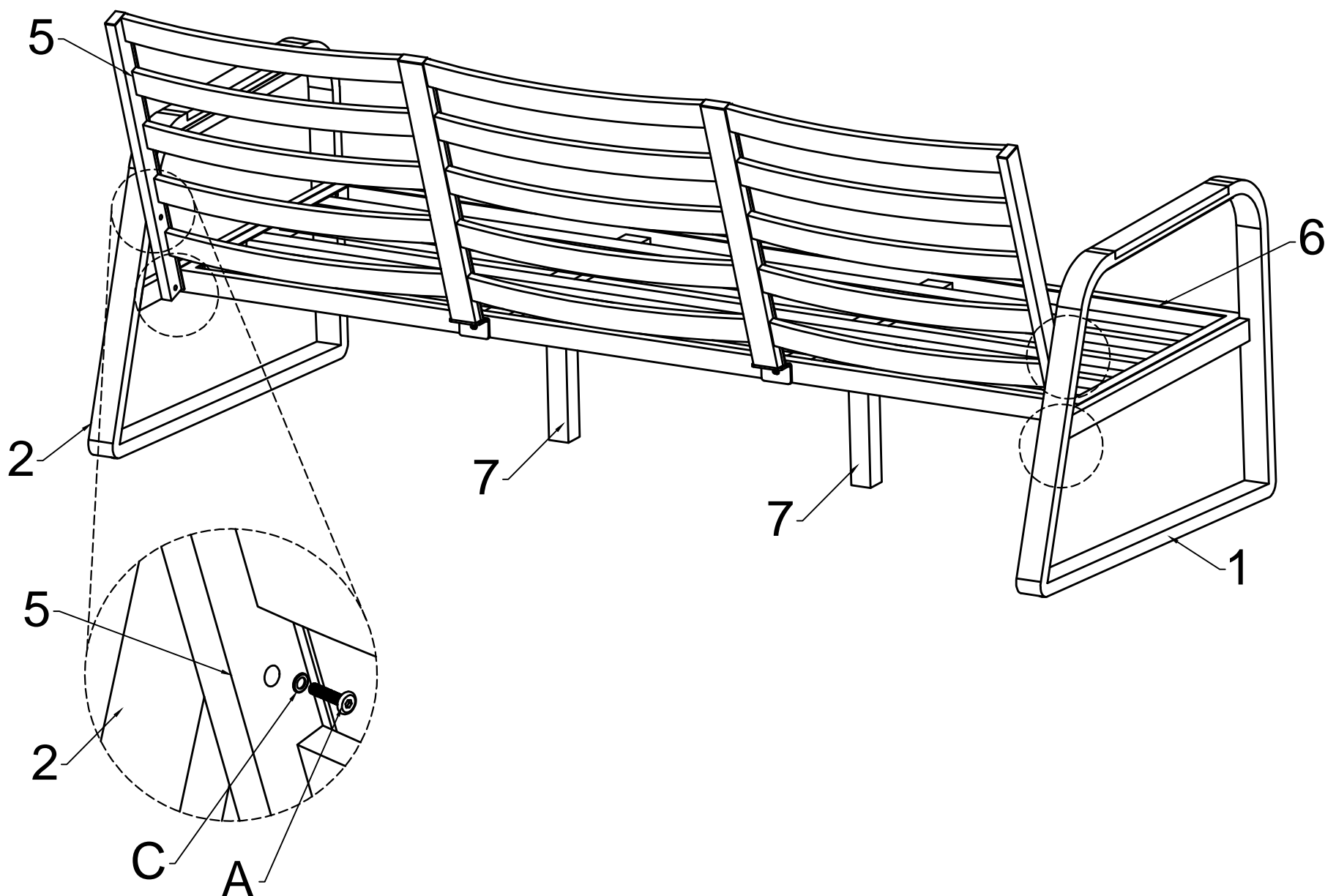


# Step 4:

## ITEMS REQUIRED


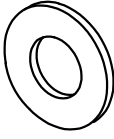
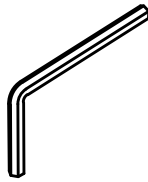
5. Backrest 1PC		
		
A. Bolt	C. Washer	D. Allen Key
		
M6*35*4PCS	M6*4PCS	M6*1PC

- Attach backrest (5) to left arm (2) and right arm (1) using bolt (A) with washer (C) .
- Insert all bolts before fully tightening .
- Tighten with allen key (D) .

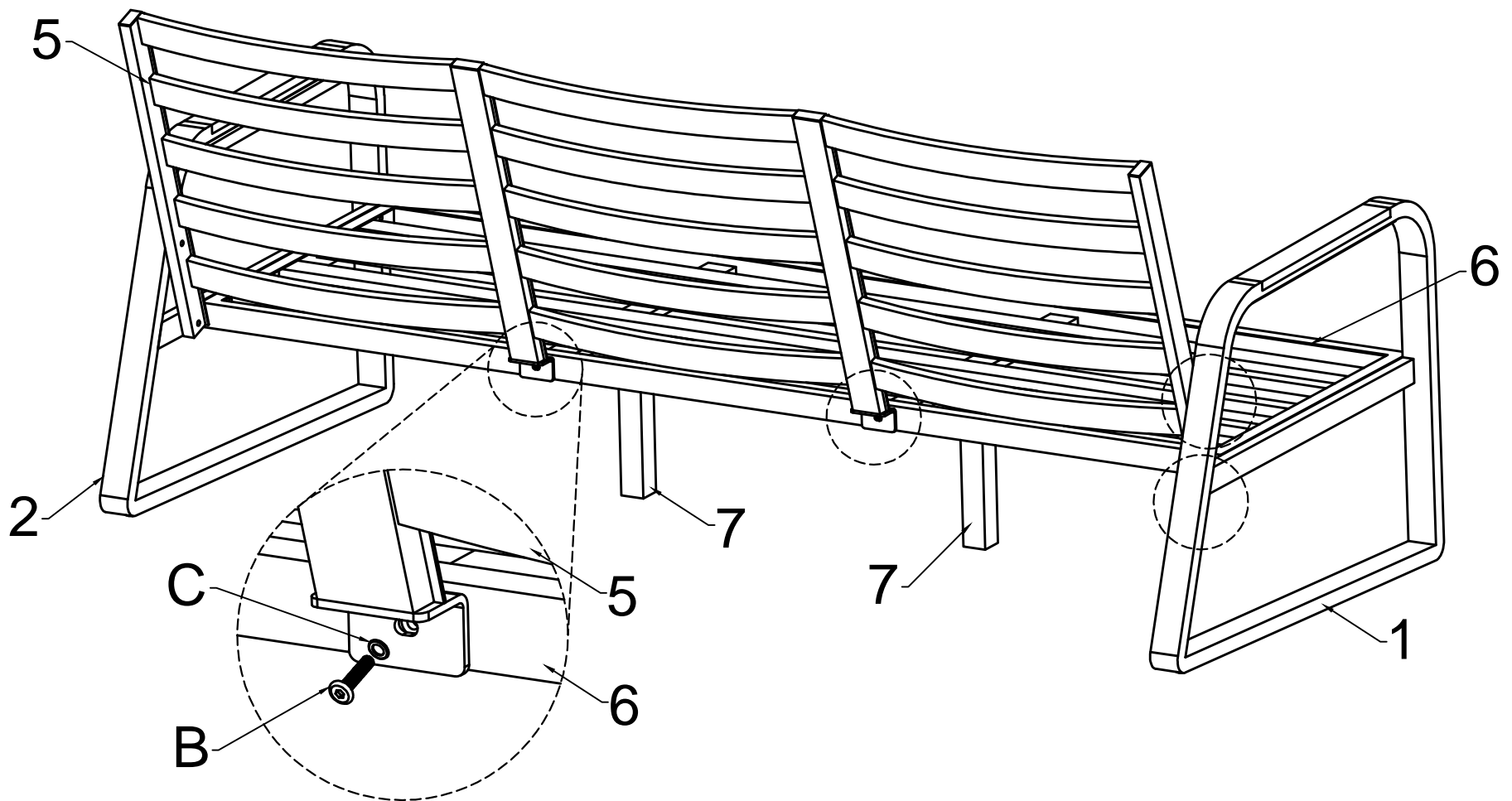


# Step 5:

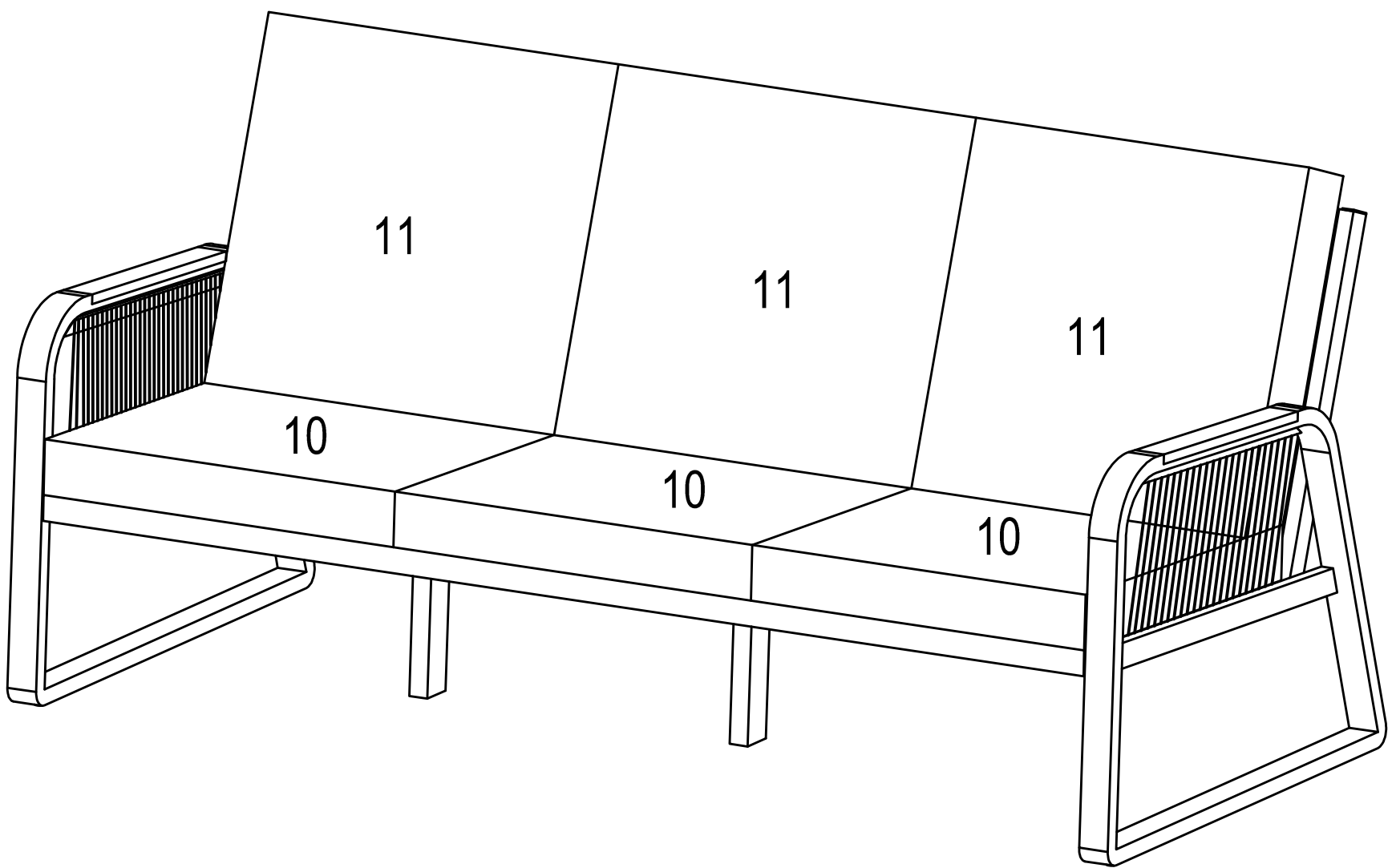
## ITEMS REQUIRED

B. Bolt  M6*20*2PCS	C. Washer  M6*2PCS	D. Allen Key  M6*1PC
--	---	--

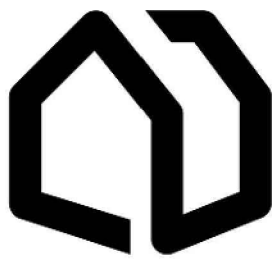
- Attach backrest (5) to seat (6) using bolt (B) with washer (C) .
- Insert all bolts before fully tightening .
- Tighten with allen key (D) .



**ASSEMBLY IS COMPLETE**





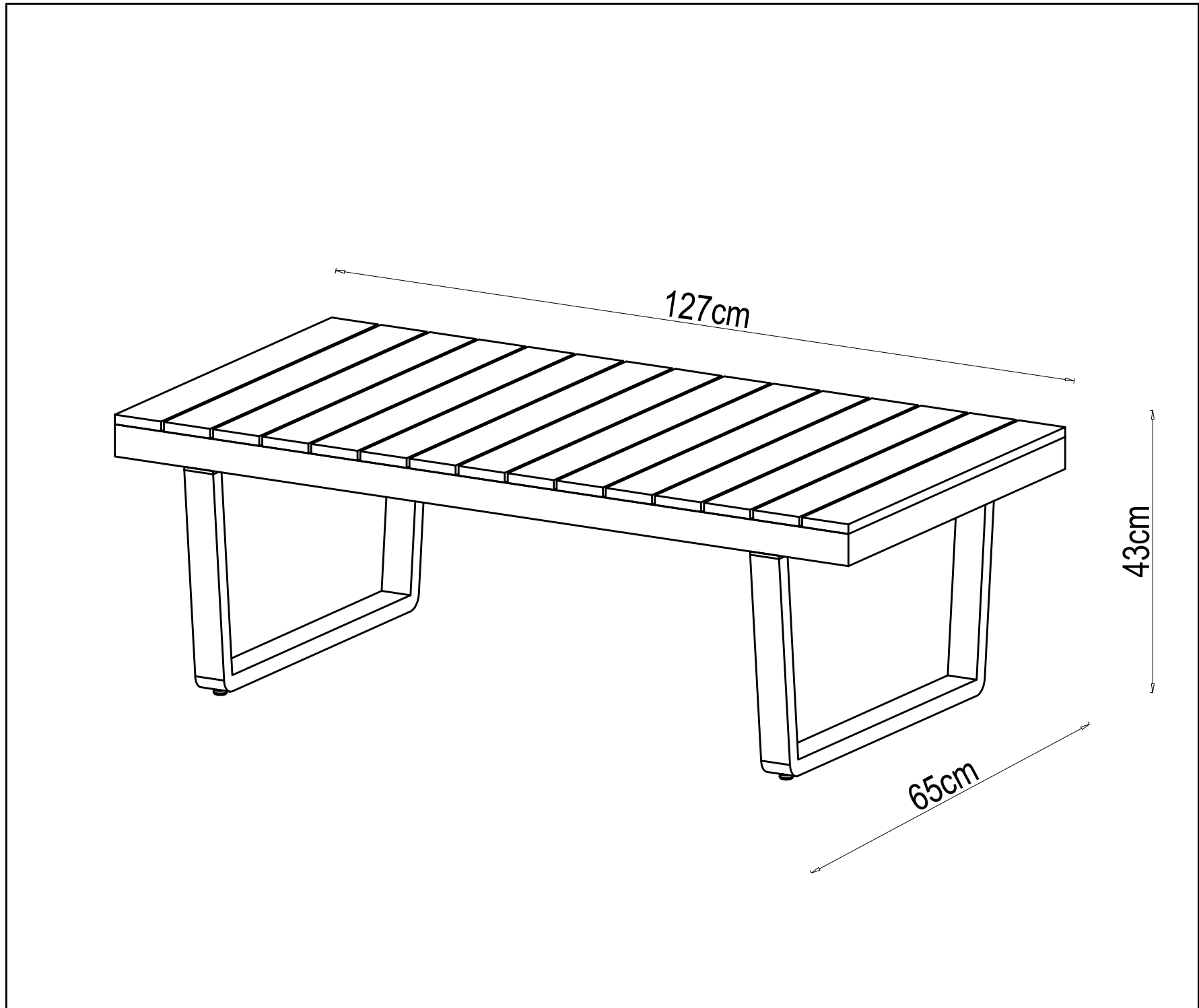


ASSEMBLY INSTRUCTION

STROMBOLI 4PC OUTDOOR LOUNGE

ITEM CODE - 77082

# Amart

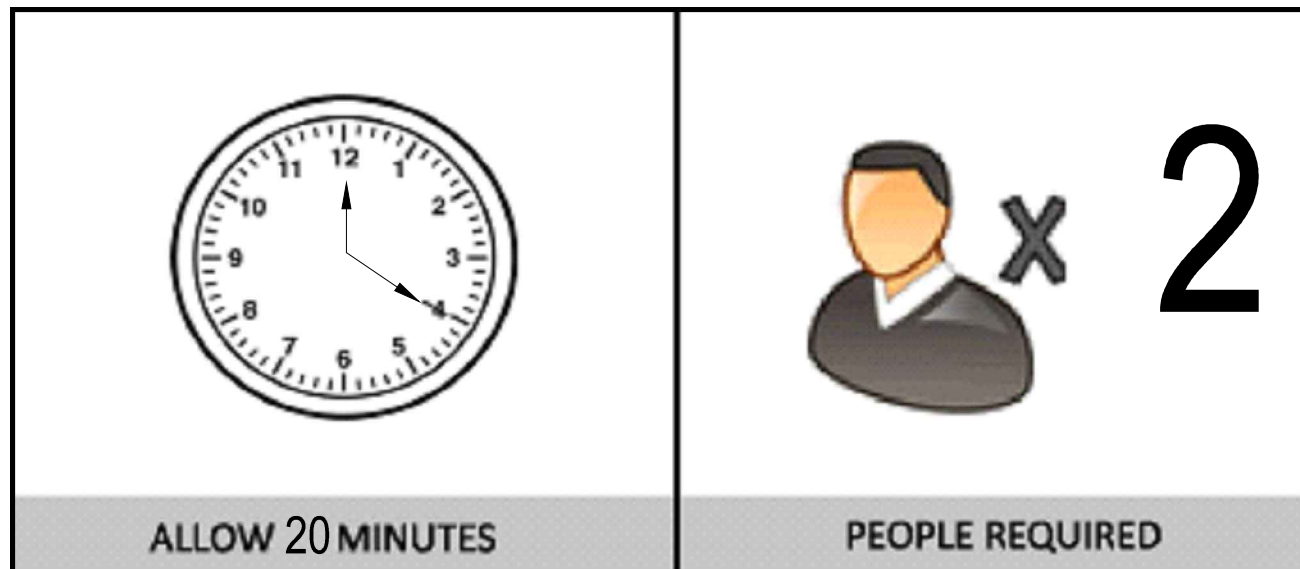


Imported by Amart Furniture Pty Ltd, Qld, Brisbane Australia .  
For any assistance with assembly or for missing parts please phone  
Amart Furniture, Customer Service Freecall 1800 351 084

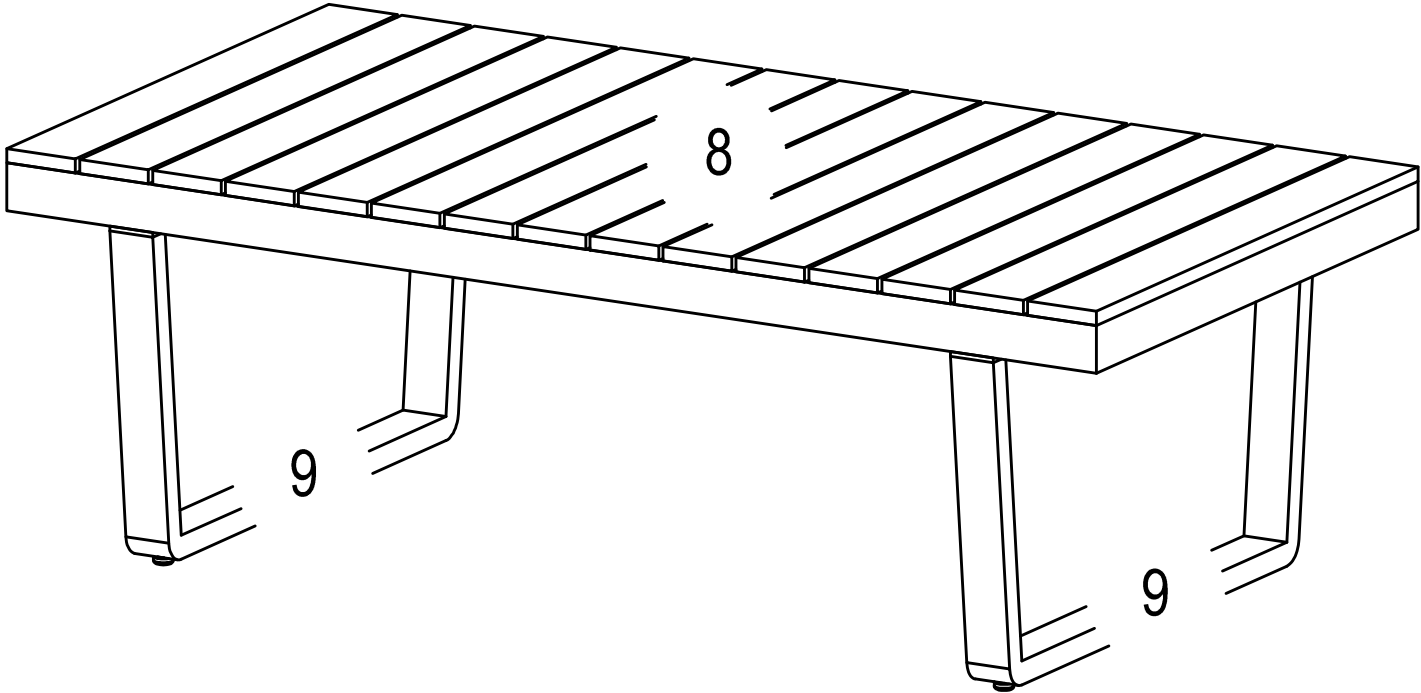
## PRE-ASSEMBLY PREPARATION

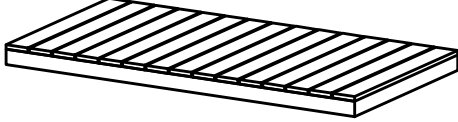
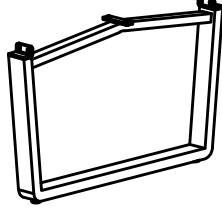
### Before you start:


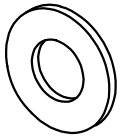
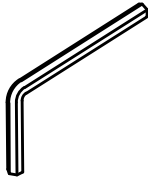
1. Choose a clean, level, spacious assembly area. Avoid hard surfaces that may damage the product.
2. Take care when lifting. Product should be assembled as near as possible to the point of use.
3. Ensure that you have all required contents for complete assembly.
4. Always read the assembly instructions carefully before beginning assembly.
5. Keep all hardware parts and packaging out of reach of small children.
6. Do not over tighten the screws and bolts as this may damage the threads.



# PARTS LIST

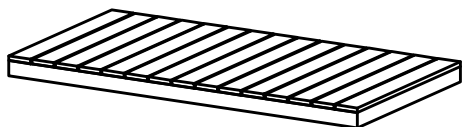
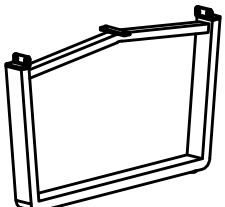

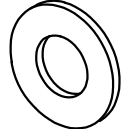
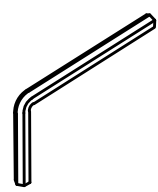


<p>8. Table Top</p> <p>1PC</p> 	<p>9. Legs</p> <p>2PCS</p> 
--	--

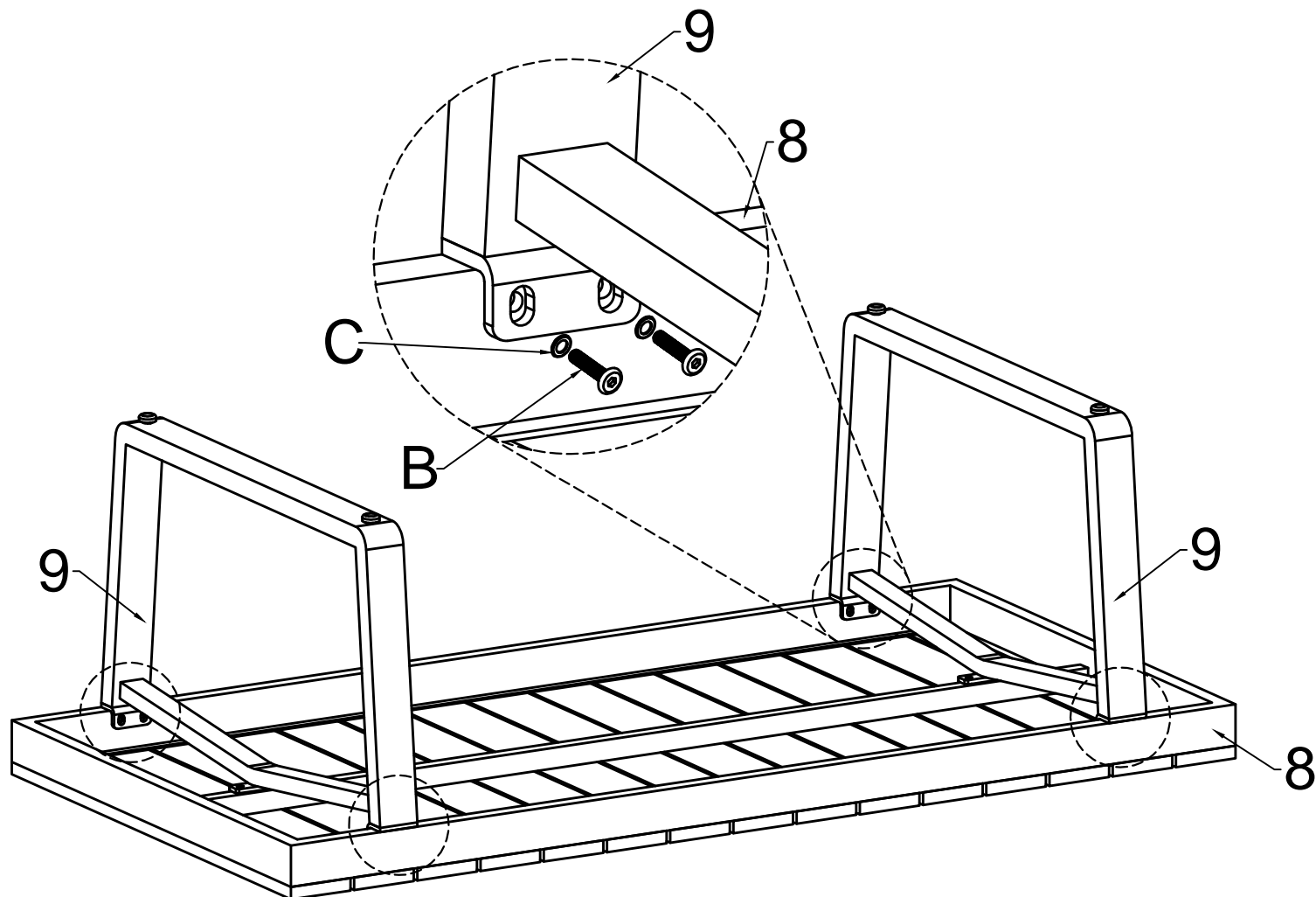
<p>B. Bolt</p>  <p>M6*20*12PCS</p>	<p>C. Washer</p>  <p>M6*12PCS</p>	<p>D. Allen Key</p>  <p>M6*1PC</p>
---	--	---

# Step 1:

## ITEMS REQUIRED


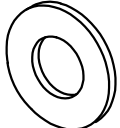
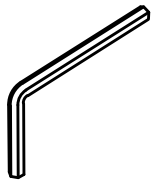
8. Table Top 1PC 	9. Legs 2PCS 	
B. Bolt M6*20*8PCS 	C. Washer M6*8PCS 	D. Allen Key M6*1PC 

- Attach legs (9) to table top (8) using bolt (B) with washer (C) .
- Insert all bolts before fully tightening .
- Do not fully tighten bolts until next step is complete .
- Tighten with allen key (D) .

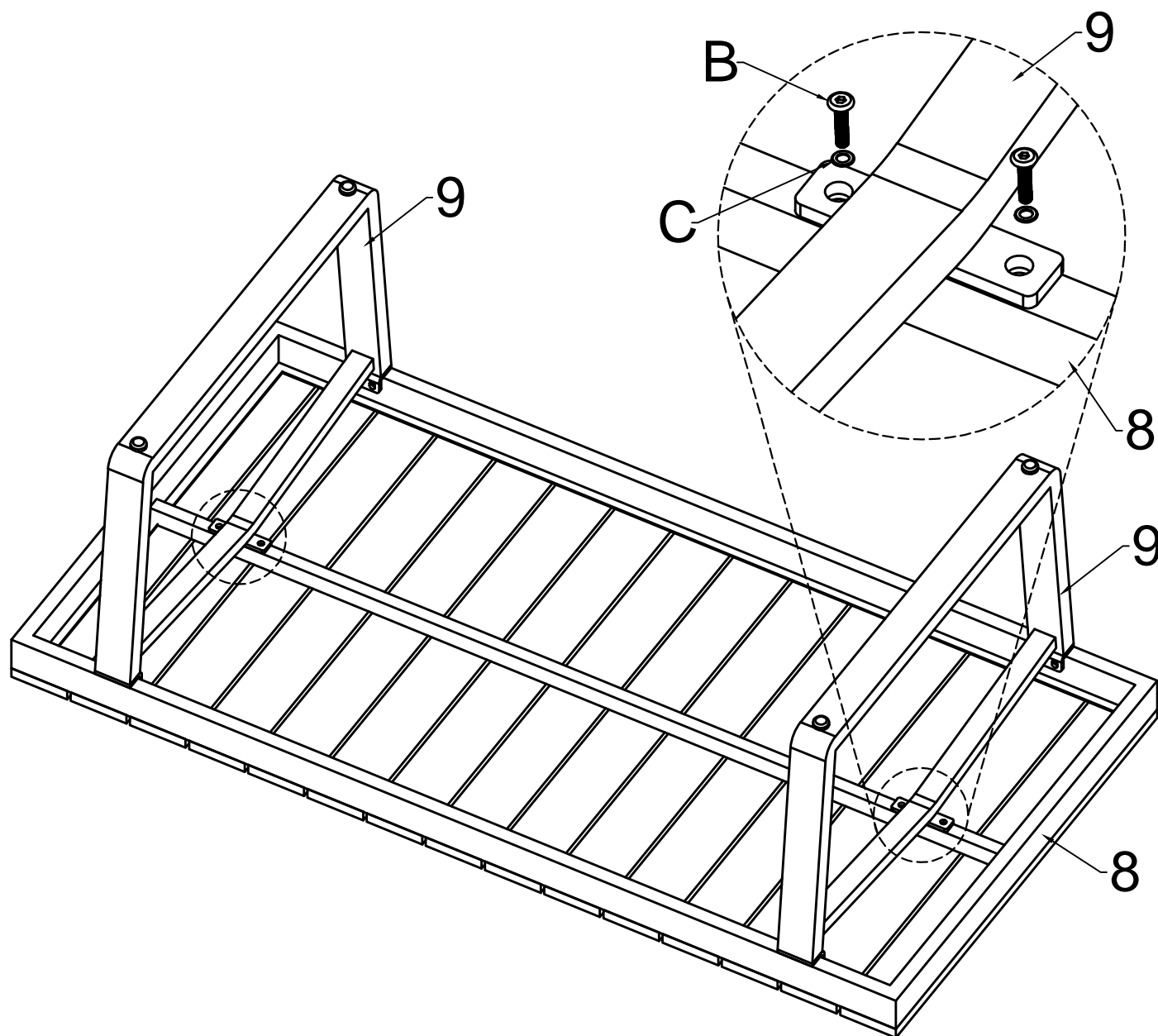


# Step 2:

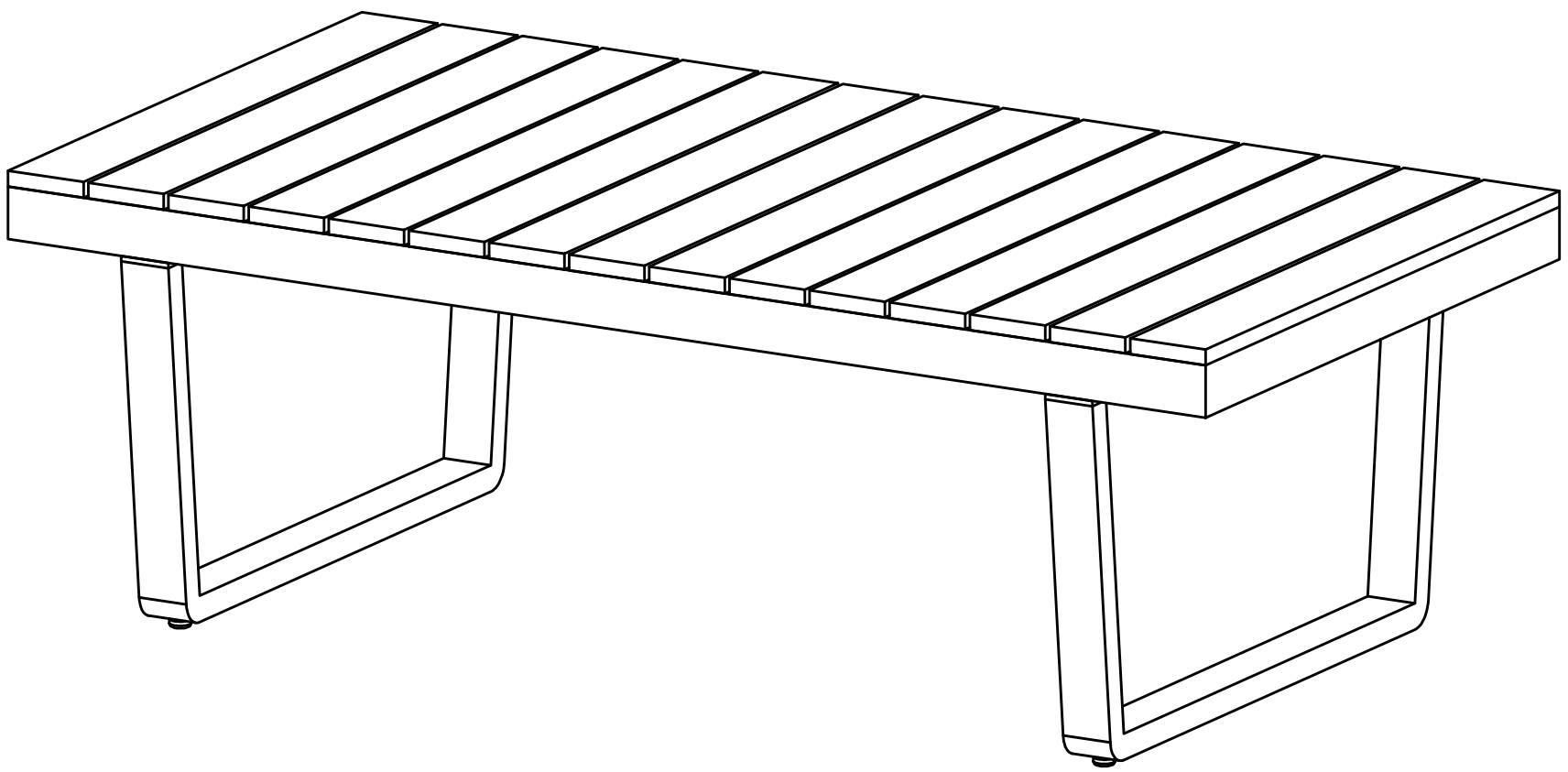
## ITEMS REQUIRED

B. Bolt  M6*20*4PCS	C. Washer  M6*4PCS	D. Allen Key  M6*1PC
--	---	--

- Attach legs (9) to table top (8) using bolt (B) with washer (C) .
- Insert all bolts before fully tightening .
- Tighten with allen key (D) .



**ASSEMBLY IS COMPLETE**



# Care and maintenance



## Aluminium

- ☒ Item is designed for use outdoors. However we do not recommend leaving this product outside when not in use. To preserve the life of this item, avoid prolonged exposure to the elements & store inside/under cover or use an outdoor cover.
- ☒ DO NOT allow the furniture to be left in the rain or left wet for extended periods of time.
- ☒ Wipe furniture Dry immediately after it becoming wet.
- ☒ DO NOT clean your furniture down with any harsh solvents, abrasives or chemicals.
- ☒ To remove dirt and grime, simply rinse with fresh water or periodically clean using a sponge and mild detergent solution as required

## Cushions

- ☒ Direct exposure to the Sun's harmful UV rays is likely to cause rapid colour fading to fabrics. For best results we recommend avoiding exposure to direct sunlight
- ☒ To ensure product longevity it is recommended outdoor products are not left permanently exposed to the elements
- ☒ Spot clean using mild detergent and damp cloth. Dry flat in shade
- ☒ Do not unzip
- ☒ Do not put in washing machine
- ☒ Do not tumble dry
- ☒ Do not bleach
- ☒ Do not dry clean
- ☒ Cool iron only

## Timbers

- ☒ Prolonged exposure of timber items to the elements may cause premature deterioration
- ☒ Regular vacuuming and dusting of items is recommended
- ☒ Timber requires regular maintenance and upkeep. Please use the appropriate product to maintain your product (oil/wax), if you are unsure of which product is suitable – please contact the store that you purchased from
- ☒ Minor cracking of timber is a natural process and will not compromise the strength of the timber
- ☒ To extend the life of your product the use of an Amart approved Outdoor Furniture Cover is highly recommended.
- ☒ Please contact store of purchase for further details.

## Outdoor Wicker Furniture Care Instructions:

- **What is Wicker?**

• Wicker is a weaving technique used to create outdoor furniture, baskets, and decorative items. It involves weaving thin, flexible strands of materials like rattan, bamboo, or synthetic materials to form intricate patterns. Wicker furniture is known for its natural beauty and durability, making it a popular choice for outdoor spaces. In this guide, we'll share care instructions to help you maintain the appeal and longevity of your wicker outdoor furniture.

- **Regular Cleaning:**

1. **Frequency:** Every 4-6 weeks, clean your outdoor wicker furniture to maintain its appearance and longevity.

2. **Cleaning Solution:** Use a mild detergent mixed with warm water for cleaning.

3. **Washing:** Gently wash the furniture with the detergent solution, paying attention to intricate woven areas.

Use a soft cloth or a soft brush to remove dirt and debris.

4. **Rinse:** Thoroughly rinse the furniture with clean water to remove any soap residue.

5. **Drying:** Ensure the furniture is dried thoroughly after cleaning to prevent oxidization. Let it air dry completely in a well-ventilated area, preferably in indirect sunlight.

6. **Dust Regularly:** Dust your furniture regularly with a soft brush or vacuum cleaner with a brush attachment to prevent dust buildup, which can damage the surface.

- **Seasonal Maintenance:**

1. **Sunlight Exposure:** Avoid leaving your furniture uncovered in direct sunlight for extended periods, as prolonged exposure can cause fading and material deterioration.

2. **Cushion Care:** Remove cushions from the furniture and store them in a covered or undercover area when the furniture is not in use. This helps protect the cushions from the elements.

3. **Weather Protection:** Amart always recommends the use of an outdoor protective cove for your outdoor wicker furniture when not in use. Ensure the covers are clean and completely dry before use to prevent mold and mildew growth. Even when your wicker furniture is under a patio or awning, Amart still recommends the use of cover – to prevent fading or sun damage.

By following these instructions, you can maintain the longevity and appearance of your outdoor wicker furniture.